

CS 1 UNI

FOOT-OPERATED UNDERPINNER



- FOOT operated**
- Very Large Stroke**
- Aluminium structure**
- Fast & Easy to use**

Type of wedges

The CS 1 UNI works only with "UNI" wedges.


UNI wedges

Designed for

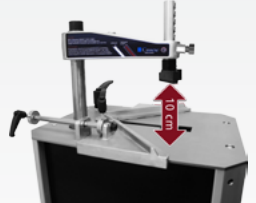
Bespoke Framer | Retail Framer | Medium Contract Framer | Volume




Mouldings	
Width	5 mm - unlimited
Height	7 mm - 100 mm
Dimensions	
Length	610 mm
Width	360 mm
Height	1200 mm
Weight	22 kg



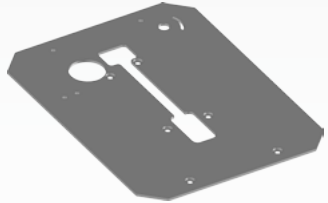
Wide mouldings :
14cm / 5 1/2" stroke



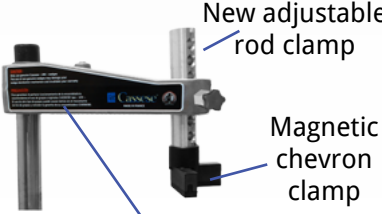
High mouldings :
10cm / 4"




Aluminium structure & parts for maximum durability and minimum wear and tear



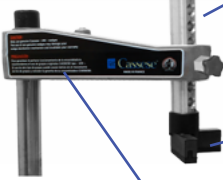
Stainless Steel working table



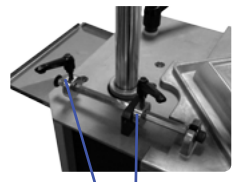
New adjustable rod clamp
Magnetic chevron clamp



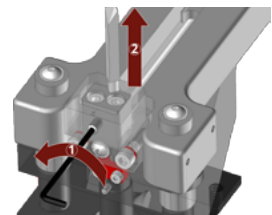
Easy wedge loading



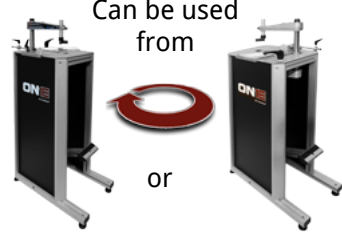
Solid crossbar



Quick and easy wedge positioning



Two-stage quick & easy wedge driver replacement



Can be used from front or rear

Included accessories

Optional accessories

- Z26809
- Z26999
- Z24703
- Z21525
- Z21524
- 7 mm Z25497
- 10 mm Z25498
- 12 mm Z25499
- Z24322
- 1 box of 10mm HW
- 1 box of 10mm SW

- Z22003
- Z25790
- Z1813
- Z1814
- Z18065
- Z1783
- Z1791
- 15 mm Z25500
- Z25147
- Z25510

Cassese SARL
8 rue Denis Papin ZI
77390 Verneuil l'Etang
FRANCE

Tel +33 (0) 1 64 42 49 71 / 73
Fax +33 (0) 1 55 02 29 48
Email export@cassese.com
Web www.cassese.com

Cassese
Trust the best, trust Cassese.™